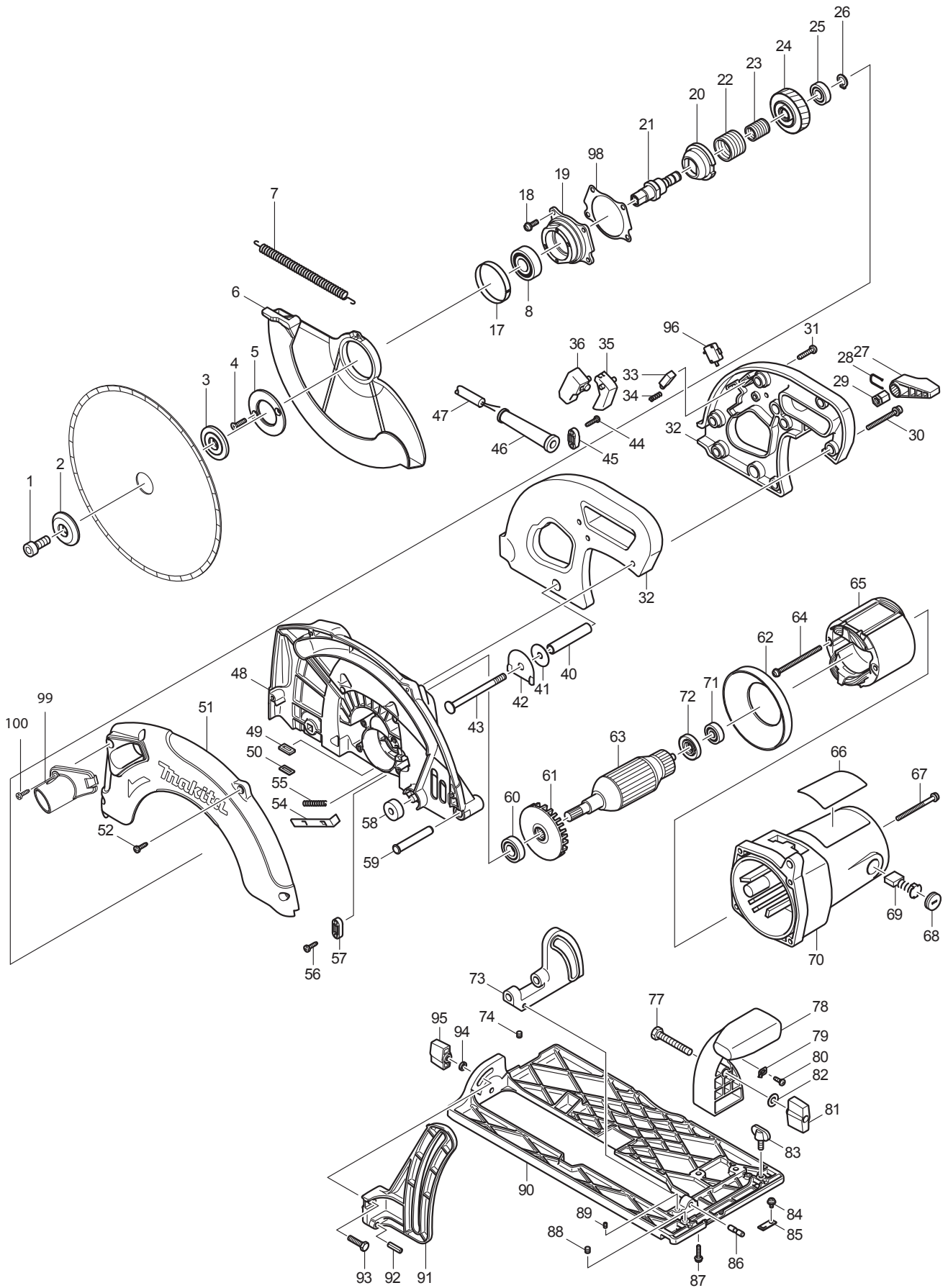




09 - 2010

5104

10-1/4" CIRCULAR SAW



Item No	Type	Ref	Part No	Description	Qty	Unit
1			266083-2	HEX. SOCKET HEAD BOLT M10X25	1	PC.
2			224325-0	OUTER FLANGE 45	1	PC.
3			224419-1	INNER FLANGE 45	1	PC.
4			912222-9	COUNTERSUNK HEAD SCREW M5X16	2	PC.
5			285681-3	BEARING RETAINER 34-62	1	PC.
6			318240-9	SAFETY COVER	1	PC.
7			231850-4	TENSION SPRING 6	1	PC.
8			211278-2	BALL BEARING 6203DDW	1	PC.
17			344303-5	THICKNESS RING	1	PC.
18			911225-0	P.H. SCREW M5X16	4	PC.
19			316709-7	BEARING BOX	1	PC.
20			322830-2	LOCK SLEEVE	1	PC.
21			322827-1	SPINDLE	1	PC.
22			231968-1	LOCK SPRING 27	1	PC.
23			231969-9	LOCK SPRING 20	1	PC.
24			226452-9	HELICAL GEAR 39	1	PC.
25			211104-5	BALL BEARING 6001	1	PC.
26			961052-5	RETAINING RING S-12	1	PC.
27			272230-5	LEVER 54	1	PC.
28			231955-0	RING SPRING 12	1	PC.
29			252134-7	HEX. NUT M8	1	PC.
30			911263-2	P.H. SCREW M5X40	3	PC.
31			266041-8	TAPPING SCREW 5X25	4	PC.
32			182773-8	HANDLE SET	1	SET
33			415440-3	LOCK-OFF BUTTON	1	PC.
34			231230-4	COMPRESSION SPRING 4	1	PC.
35			415439-8	SWITCH LEVER	1	PC.
36			651923-1	SWITCH TG70B, SINGLE	1	PC.
40			331469-0	PIPE 9	1	PC.
41			267216-2	FLAT WASHER 8	1	PC.
42			232151-3	LEAF SPRING	1	PC.
43			266019-1	CAP SQUARE NECK BOLT M8X98	1	PC.
44			265995-6	TAPPING SCREW 4X18	2	PC.
45			687052-4	STRAIN RELIEF	1	PC.
46			682505-8	CORD GUARD 10-90	1	PC.
47			664463-0	CORD W/PLUG 2P-14-2.5M, SJ	1	PC.
48			158610-8	BLADE CASE COM.	1	PC.
		INC.	263005-3	RUBBER PIN 6	1	PC.
		INC.	816904-4	SCALE PLATE	1	PC.
49			443098-8	FELT	1	PC.
50			344263-1	PLATE	1	PC.
51			318237-8	BLADE CASE COVER	1	PC.
52			266034-5	TAPPING SCREW CT 4X16	4	PC.
54			344261-5	SHAFT LOCK	1	PC.
55			233084-5	COMPRESSION SPRING 6	1	PC.
56			266034-5	TAPPING SCREW CT 4X16	2	PC.
57			687053-2	STRAIN RELIEF	1	PC.
58			262007-6	RUBBER RING 8	1	PC.
59			268008-2	PIN 10	1	PC.
60			211236-8	BALL BEARING 6002DDW	1	PC.
61			241889-9	FAN 74	1	PC.
62			415768-9	BAFFLE PLATE	1	PC.
63			517776-7	ARMATURE ASSY	1	PC.
		INC.		Item No. 71 & 72		

Item No	Type	Ref	Part No	Description	Qty	Unit
64			911944-8	P.H. SCREW M5X80	2	PC.
65			596326-1	FIELD ASSY	1	PC.
		INC.	654197-3	RING TERMINAL	2	PC.
		INC.	654502-4	CONNECTOR P-2	2	PC.
66			864654-5	5104 NAME PLATE	1	PC.
67			911288-6	P.H. SCREW M5X65	4	PC.
68			643700-5	BRUSH HOLDER CAP 7-18	2	PC.
69	1		191953-5	CARBON BRUSH CB-203, 2PCS/SET (W/O ORIGIN)	1	SET
	2		194991-6	CARBON BRUSH CB-203, 2PCS/SET (W/ ORIGIN)	1	SET
70			158611-6	MOTOR HOUSING COM.	1	PC.
		INC.	643712-8	BRUSH HOLDER	2	PC.
		INC.	810348-0	CAUTION LABEL	1	PC.
71			210042-8	BALL BEARING 629LLB	1	PC.
72			681633-6	INSULATION WASHER	1	PC.
73			318262-9	ANGLER PLATE	1	PC.
74			266039-5	HEX. SOCKET HEAD SCREW M6X6	1	PC.
77			921477-5	HEX. BOLT M8X55	1	PC.
78			415722-3	ANGULAR PLATE GUIDE	1	PC.
79			816128-2	POINTER	1	PC.
80			266020-6	TAPPING SCREW 4X12	1	PC.
81			252626-6	WING NUT	1	PC.
82			941201-0	FLAT WASHER 8	1	PC.
83			265701-9	SCREW M6X14	1	PC.
84			911109-2	P.H. SCREW M4X8	1	PC.
85			415433-0	TOP GUIDE	1	PC.
86			256231-1	PIN 6	1	PC.
87			266021-4	TAPPING SCREW 5X20	2	PC.
88			266039-5	HEX. SOCKET HEAD SCREW M6X6	1	PC.
89			265993-0	SET SCREW M4X5	1	PC.
90			318238-6	BASE	1	PC.
91			318239-4	DEPTH GUIDE	1	PC.
92			951210-1	SPRING PIN 6-20	1	PC.
93			921342-8	HEX. BOLT M6X25	1	PC.
94			941151-9	FLAT WASHER 6	1	PC.
95			252624-0	WING NUT M6	1	PC.
98			442142-8	GASKET	1	PC.
99			450316-7	JOINT	1	PC.
100			266036-1	TAPPING SCREW	1	PC.
C01			849155-4	CARTON F/5104	1	PC.
<b><u>ACCESSORIES</u></b>						
A01			165499-7	GUIDE RULE	1	PC.
A02			783204-6	HEX. WRENCH 6	1	PC.
A03			A-94910	10-1/4" C.T.SAW BLADE(5/8")24T	1	PC.
	Opt		T-01258	10" DUAL PRPS DIAMOND BLADE 5/8"	1	PC.