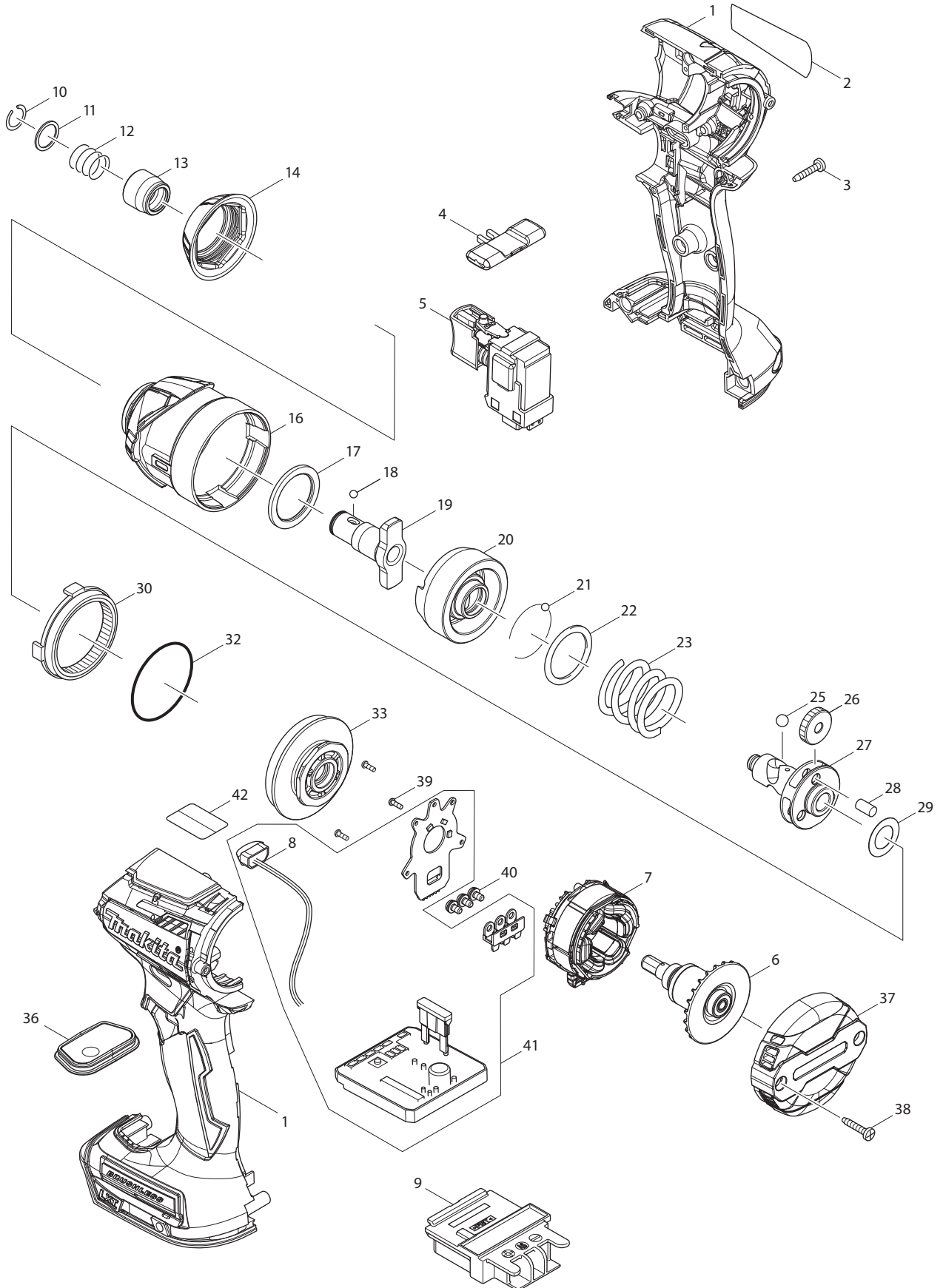




06 - 2016
DTD154RTE / DTD154RME / DTD154Z
18V LXT Brushless 1/4" Impact Driver



Item No.	Type	Sub	Part No.	Description	Qty	Unit
1			183E36-5	HOUSING SET	1	SET
		INC.	263005-3	RUBBER PIN 6	2	PC.
		INC.	252126-6	HEX. LOCKING NUT M4-7	2	PC.
1A			183F58-1	HOUSING SET BLACK	1	SET
		INC.	263005-3	RUBBER PIN 6	2	PC.
		INC.	252126-6	HEX. LOCKING NUT M4-7	2	PC.
2			852L16-1	NAME PLATE F/DTD154	1	PC.
3			266429-2	TAPPING SCREW 3X16	8	PC.
4			455053-8	F/R CHANGE LEVER	1	PC.
5			143975-1	SWITCH COMPLETE	1	PC.
6			619408-3	ROTOR	1	PC.
7			629217-2	STATOR	1	PC.
8			620557-1	LED CIRCUIT	1	PC.
9			643860-3	TERMINAL	1	PC.
10			231951-8	RING SPRING 11	1	PC.
11			267085-1	FLAT WASHER 12	1	PC.
12			233005-7	COMPRESSION SPRING 13	1	PC.
13			326068-1	BIT SLEEVE	1	PC.
14			424873-1	BUMPER	1	PC.
16			143951-5	HAMMER CASE COMPLETE	1	PC.
17			261155-8	NYLON WASHER 24	1	PC.
18			216001-0	STEEL BALL 3.5	2	PC.
19			326506-3	ANVIL M	1	PC.
20			326711-2	HAMMER	1	PC.
21			216001-0	STEEL BALL 3.5	24	PC.
22			267175-0	FLAT WASHER 24	1	PC.
23			234331-7	COMPRESSION SPRING 24	1	PC.
25			216041-8	STEEL BALL 5.6	2	PC.
26			227338-0	SPUR GEAR 22	3	PC.
27			326783-7	SPINDLE	1	PC.
28			268311-1	PIN 5	3	PC.
29			253314-8	THIN WASHER 15	1	PC.
30			221457-4	INTERNAL GEAR 51	1	PC.
32			213507-9	O RING 40	1	PC.
33			143976-9	BEARING BOX COMPLETE	1	PC.
36			143954-9	SWITCH PLATE COMPLETE	1	PC.
37			456921-8	REAR COVER	1	PC.
37A			457494-4	REAR COVER BLACK	1	PC.
38			266429-2	TAPPING SCREW 3X16	2	PC.
39			266490-9	TAPPING SCREW PT 2X6	3	PC.
40			652069-6	FLAT HEAD SCREW M3X6	3	PC.
41			620564-4	CONTROLLER	1	PC.
42		INC.		Item No. 8		
			809R93-0	CAUTION LABEL	1	PC.
100			266622-8	+ TRUSS HEAD SCREW M4X12 F/HOOK (Item No. A2)	1	PC.

ACCESSORIES

- Visit www.makita.ca for more accessories information -

A02			346449-3	HOOK	1	PC.
A03			450128-8	BATTERY COVER	1	PC.
A04			----	BATTERY CHARGER	1	PC.
A05			----	18V LI-ION BATTERY	1	PC.
A06	2		821532-2	PLASTIC CARRYING CASE	1	PC.
A07			----	LI-ION BATTERY ACCESSORIES		
A08			----	IMPACT DRIVERS ACCESSORIES		
A09			122758-2	STOPPER ASS'Y	1	PC.
A10			197043-2	TOOL CATCHER SET	1	PC.

Item No.	Type	Sub	Part No.	Description	Qty	Unit
A11			763418-3	CHUCK KEY S10	1	PC.
A12			784643-3	CONNECT BIT 6.35-44	1	PC.
A13			191881-4	3/8"DRILL CHUCK ATTACHMENT SET	1	PC.
		INC.		Item No. A11-12		
A14			194250-8	3/8" KEYLESS CHUCK ATTACHMENT -PKG	1	PC.
		INC.		Item No. A12		
A15			763198-1	3/8" KEYLESS CHUCK ATTACHMENT -BULK	1	PC.
		INC.		Item No. A12		
A16			192077-0	3/8" KEYLESS CHUCK ATTACHMENT -PKG	1	PC.